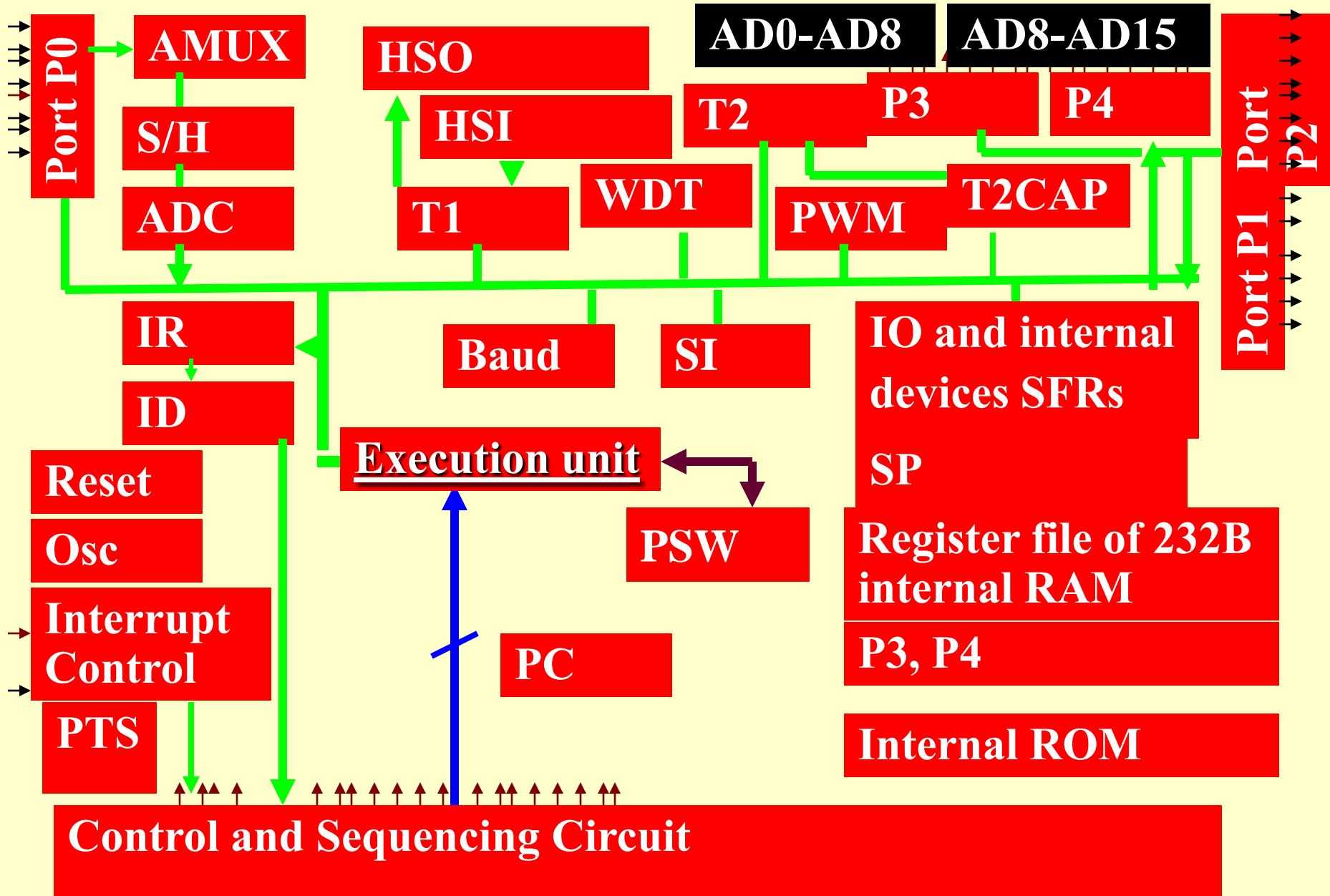


# Chapter 14

## 80x96 Family Microcontrollers



# Lesson 09

## 80x96 Watchdog timer

# Watchdog timer

- Device which can be used to reset the processor after watched-time for finishing a task is over

# Watchdog timer

- **Watchdog timer forces system reset to save from system stuck up state hang state during running**

# Watchdog timer

- **Timeout period  $1.66 \mu\text{s} \times 2^{14}$  for 16 MHz XTAL**

# Watchdog timer

- **WDT starts by writing two bytes at a 16-bit address 0AH common to both bytes**

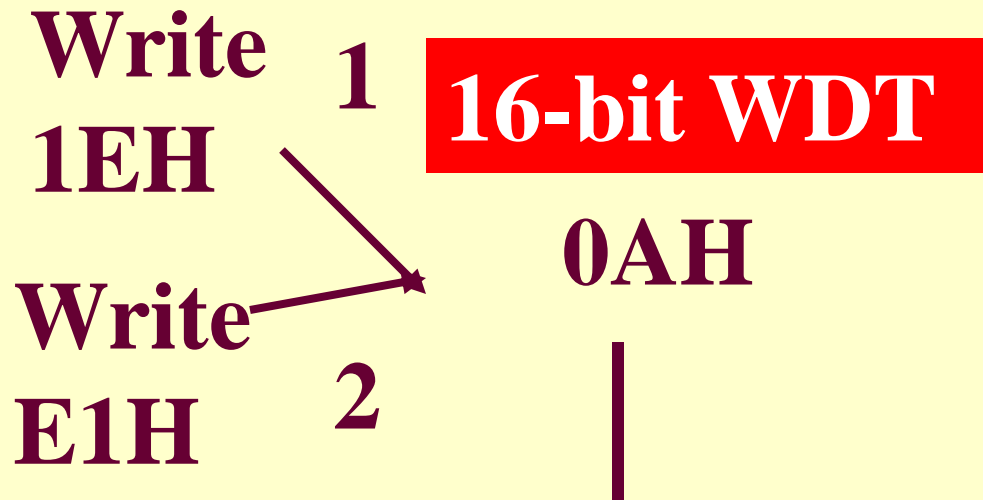
# Watchdog timer

- **Rewriting before a timeout extends the period by next cycle**



# Watchdog Timer

---



**WDT on timeout resets the PC (program counter) at 2080H as on power-up**

# Summary

# We learnt

- Watchdog timer

# End of Lesson 9

# Watchdog timer