

Chapter 8

Digital and Analog Interfacing Methods

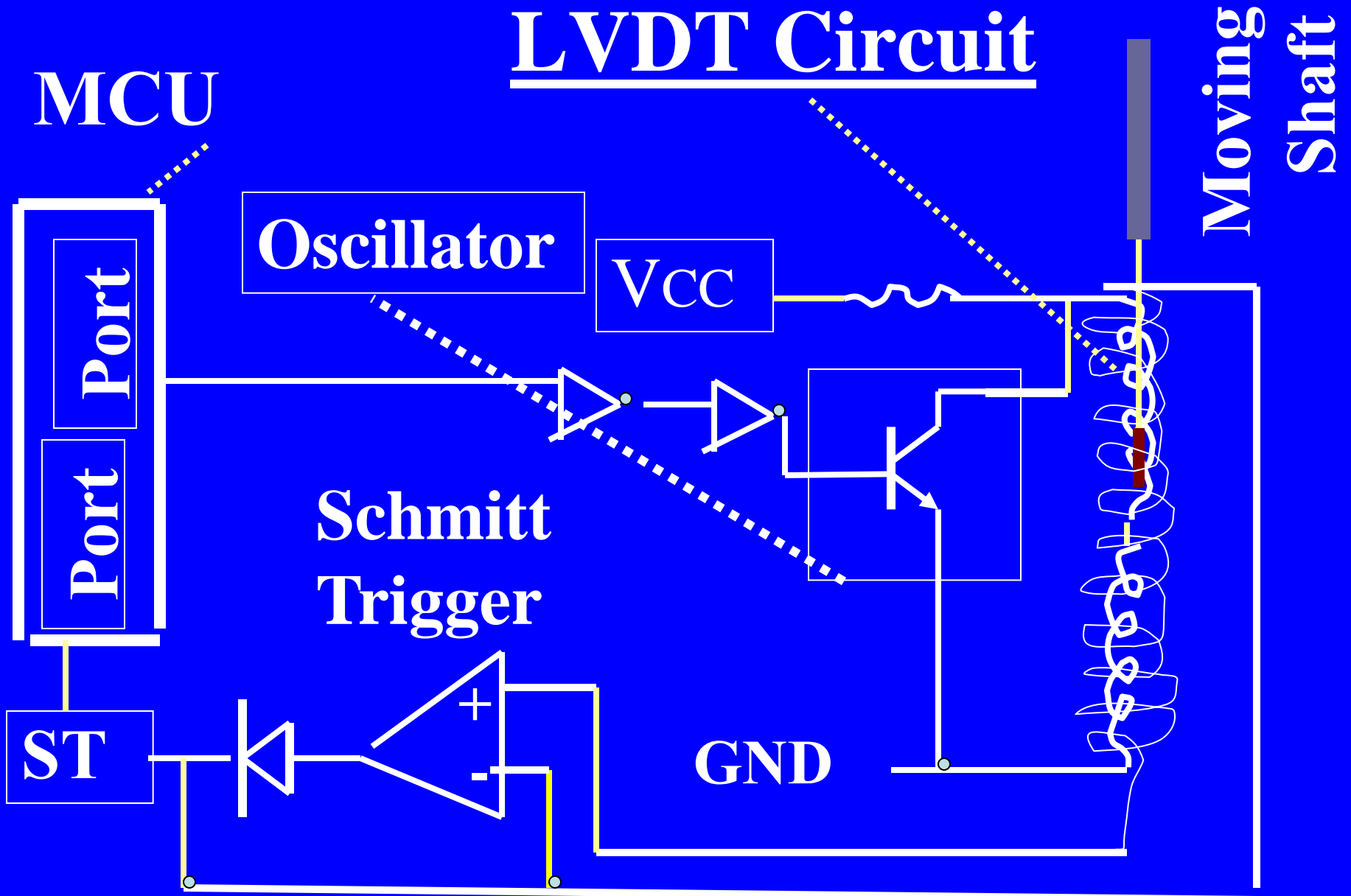
Lesson 14 Part e

Linear Variable Differential Transformer based (LVDT) displacement Sensors

LVDT

When magnet enters one of the two oppositely wind coils, the circuit currents balance disturbs and Schmitt trigger triggers the output to a port pin

LVDT Circuit



Summary

We learnt

LVDT

- When magnet enters one of the two oppositely wind coils, the circuit currents balance disturbs and Schmitt trigger triggers the output to a port pin
- The LVDT output proportional to the displacement from the center

End of Lesson 14 Part e

Linear Variable Differential Transformer based (LVDT) displacement Sensors