

Chapter 8

Digital and Analog Interfacing Methods

Lesson 9 Part b

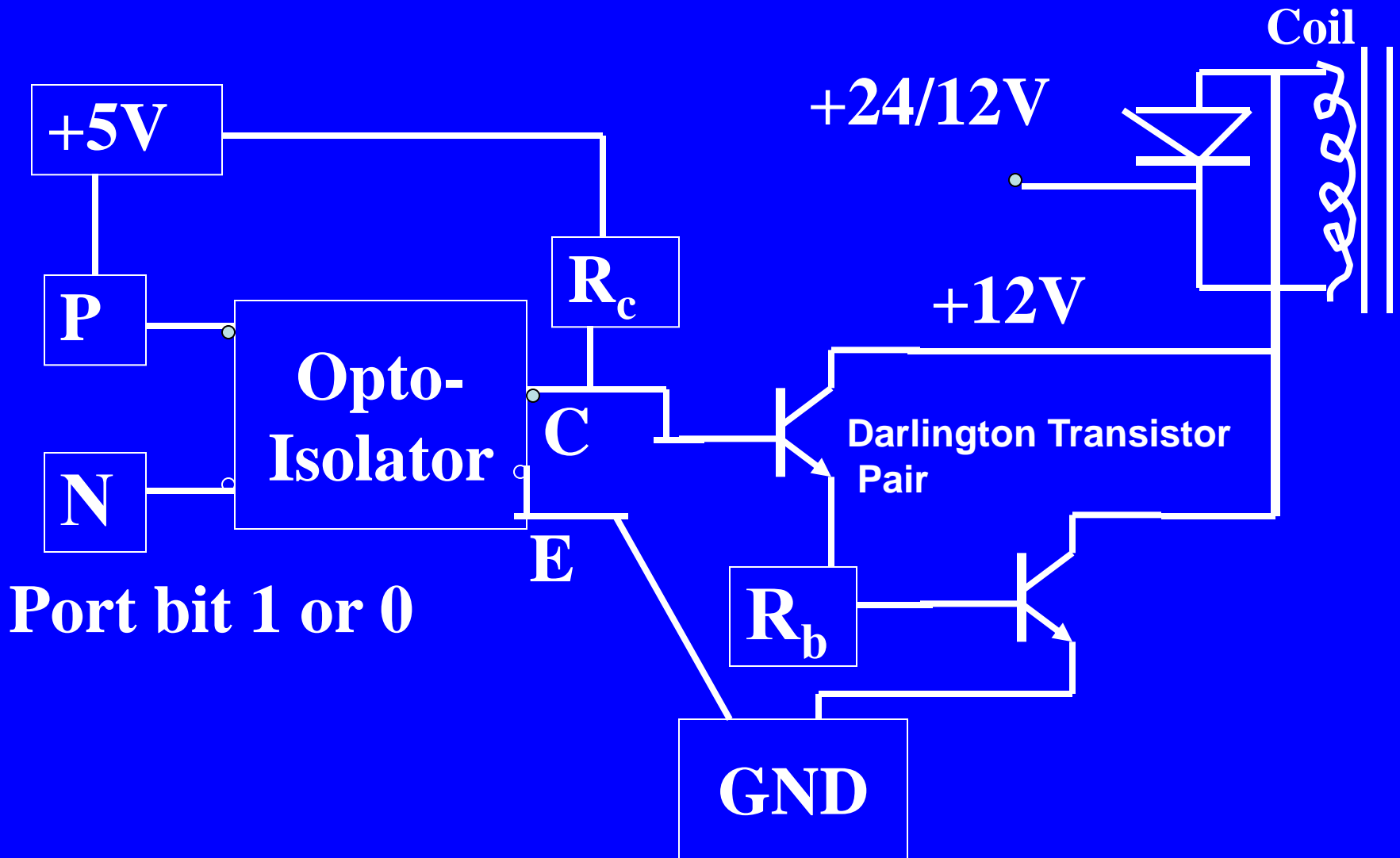
Coil Interface

Outline

- Optical Isolation
- Opto-isolator circuit
- coil and relay interface circuits
- Loudspeaker Interface
- Music Play Box
- Stepper Motor

Coil Interface applications examples

- (i) a magnetic field generating solenoid coil, for example in an LVDT,
- (ii) a relay,
- (iii) a loudspeaker and
- (iv) a coil of stepper motor



Coil Interface Circuit

Summary

Coil Circuits

- Uses Reverse biased diode across coil
- Darlington Transistor Pair for High coil Currents
- Invertors-buffers and transistor for low coil Currents

End of Lesson 9

Coil Interface